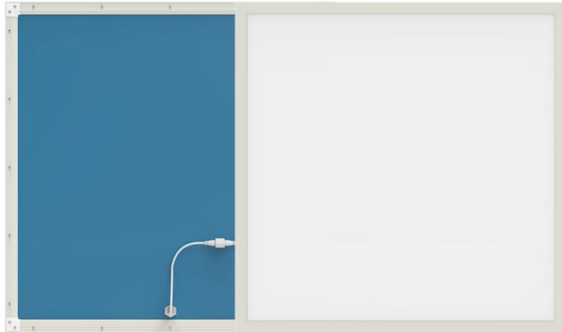


LED PANEL LIGHT CRPL Series



Product Description

CRPL LED Panel light offer up to 130lm/W lumen per watt. Waterproof performance, longer life.

Performance Summary

- Lumen: 130lm/W
- Input: 110-240vac & 110-277V models available
- Output Power: 5-72Watts
- CRI: 80
- PF > 0.9
- UGR < 19
- CCT: 2700K-6500K Optional
- Beam Angle: 120°
- Warranty: 5 years
- Lifetime: Designed to last 50,000 hours
- Dimming: TRIAC, 0-10V, DALI, Optional
- Suitable for wet locations.

Ordering Information

Example: CRPL-3030-NW-30T

MODEL	Size	CCT	Options
CRPL	300*300	27K	30T
Series	3030:30×30CM 30120:30×120CM	WW=2700-3200K NW=4000-4200K PW=5000-5500K CW=6000-6500K	30W T:Triac D:DALI A:0-10V

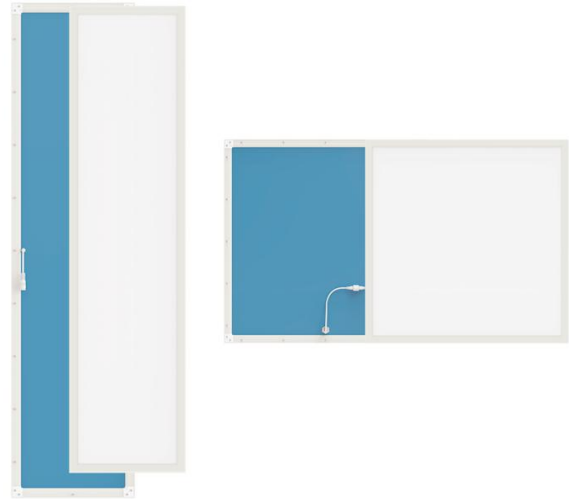
Available in the following lumen finishes:



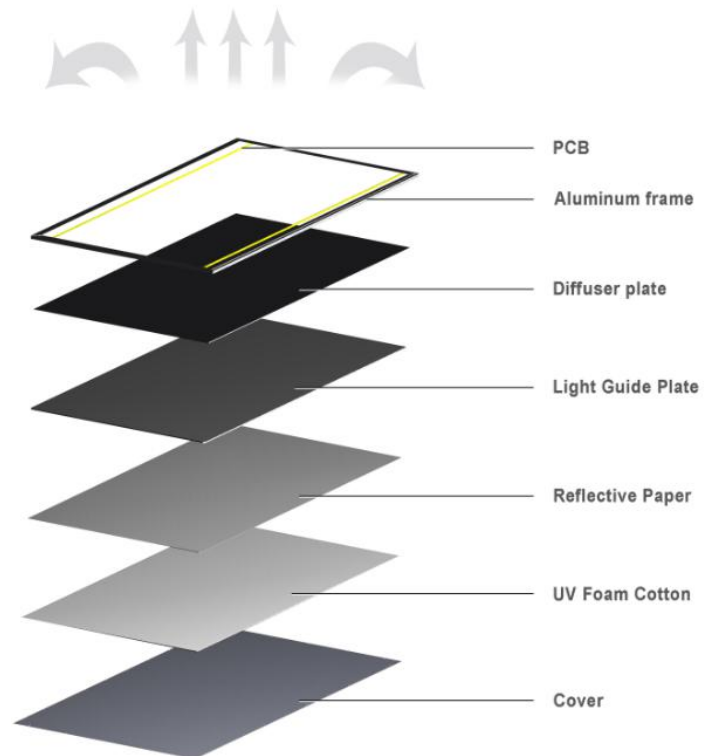
Other colours are available on request

PROJECT NAME: _____
 CATALOG: _____ FIXTURE TYPE: _____
 VOLTS / WATTS: _____ KELVIN TEMP: _____

OEM/ODM

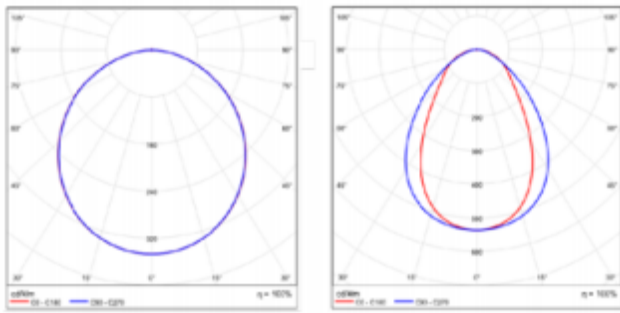


Structure



Photometric data

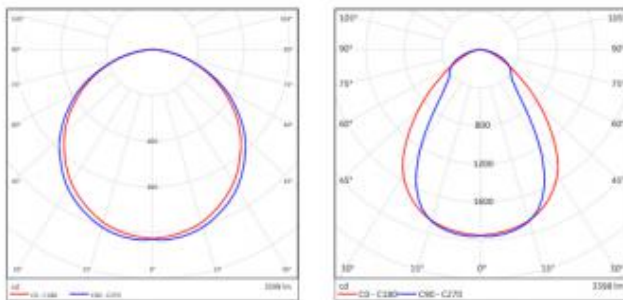
2x2 panel



Wide distribution

Medium distribution

1x4 panel

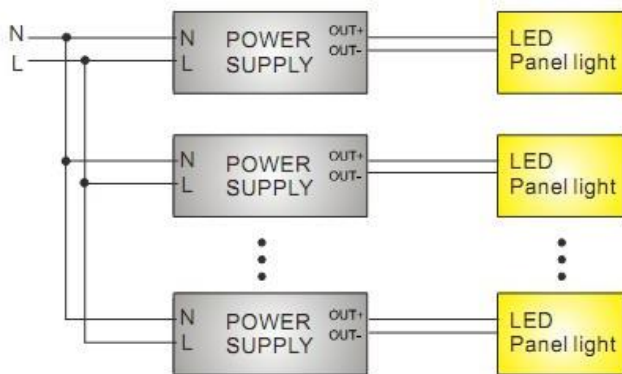


Wide distribution

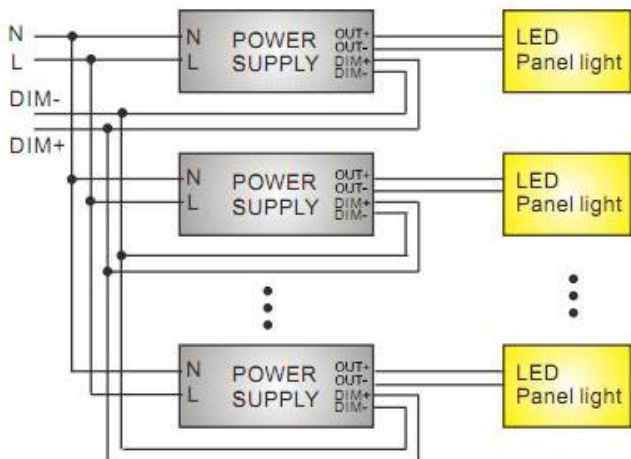
Medium distribution

System Connection Diagram

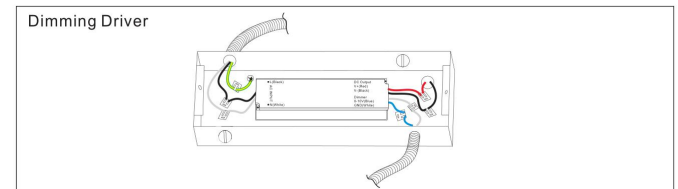
A. Wiring of the panel light with non-dimmable driver



B. Wiring of the panel light with 0-10V dimmable driver

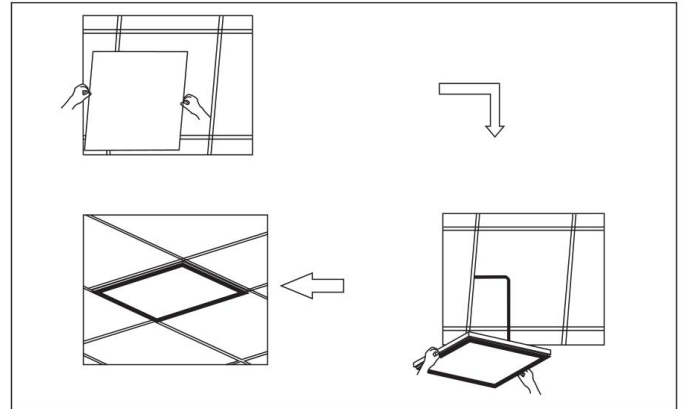


Connection Mode:

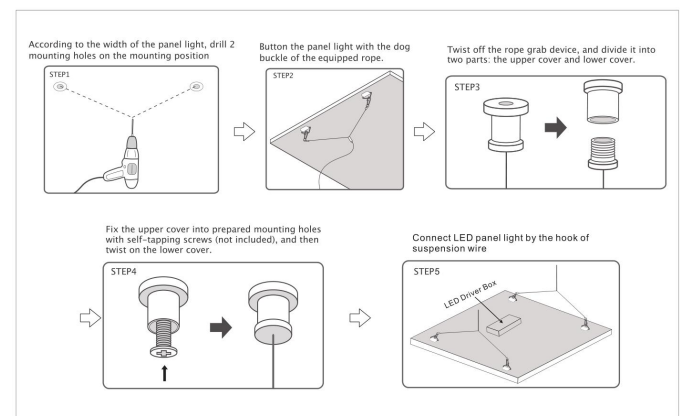


Installation

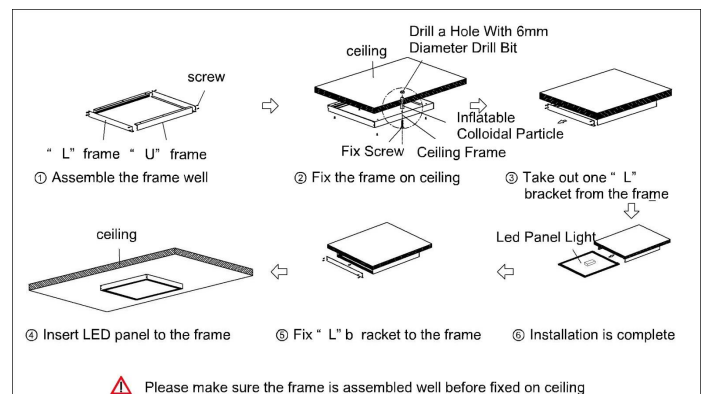
Build-in



Suspended



Surface mount

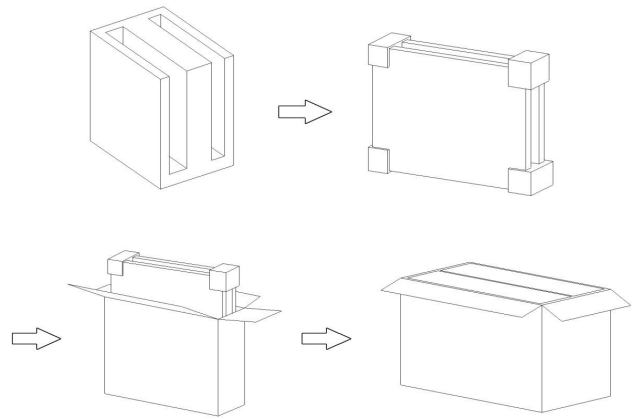


Application:

- ✧ Replacement for conventional panel lights :
- ✧ Hotels / Meeting Rooms
- ✧ Factories / Offices / Car parks /Schools
- ✧ Hospitals / Supermarkets / Railway Stations& Airports



Package:



Warning:

- ✧ Please use the product within the specified range of voltage.
- ✧ Please follow the correct installation steps to install the product, and do not touch when it is working.
- ✧ Please turn power off when installing and removing the products to avoid risk of electric shock.
- ✧ Please install the panel in the correct sized fixture.
- ✧ Do not look directly at LED light source for a long time.

Warranty:

- 5 years warranty from the shipping date;
- ❖ CROWNDA will replace all the failed products due to CROWNDA design/production quality during warranty period;
- ❖ CROWNDA is not responsible to compensate for any incorrect installation or artificial damage;
- ❖ CROWNDA is not responsible to compensate for damages occurred during the transit.