

# CrownDA·LED

## LED High Bay Light Specification



### APPLICATIONS

● Parking garages, warehouses, manufacturing facilities, toll plazas and gymnasiums.



### PRODUCT FEATURES

- Wattages: 100W,150W, 200W,240W.
- Color Temperatures: 3000-6500K
- Voltage Input: 100-277VAC /347V-480VAC
- Lumens: 130-150 lm/W (OPTIONAL)
- CRI: >70
- LED Lifespan: 50,000 hours
- Beam Angle: 120 degrees
- Warranty: 5 years
- ETL CE listed
- 0-10v dimmable ,dali dimmable,motion sensor, photo sensor,Zigbee etc.



### Technical Specifications

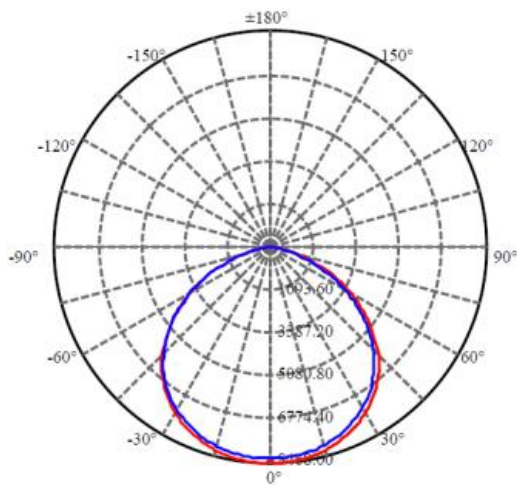
Model No.	Watts(W)	Light Output(lm)	Dimension(m m)	Light Color(K)	Power Factor	Beam Angle	Gross Weight
CR-HBL100	100W	13000	φ280*H150	5000K	≥0.9	60°90°120°	2.5KG
CR-HBL150	150W	19500	Φ340*H165	5000K	≥0.9	60°90°120°	3.3KG
CR-HBL200	200W	19500	Φ400*H169	5000K	≥0.9	60°90°120°	4.1KG
CR-HBL240	240W	19500	Φ400*H169	5000K	≥0.9	60°90°120°	5.2KG

Environmental Requirements

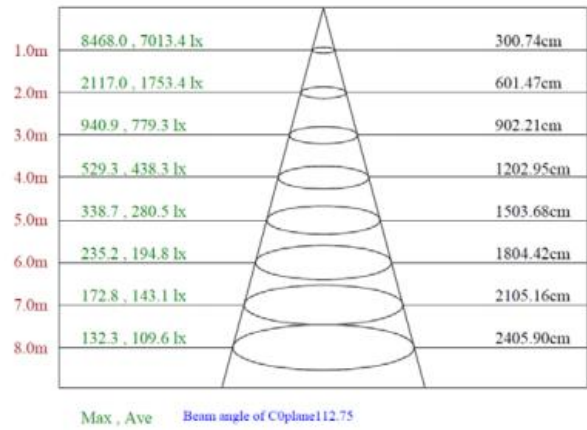
Specifications	Values
Operational Temperature Range	-40~40℃
Preservation Temperature Range	-40~90℃
Operational Humidity Range	95%Rh or below (@-40~40℃)
Installation Area	Indoor (Counter,Residential,Commercial,etc)

Material	IP
radiator: ADC12	65
lens: PC	

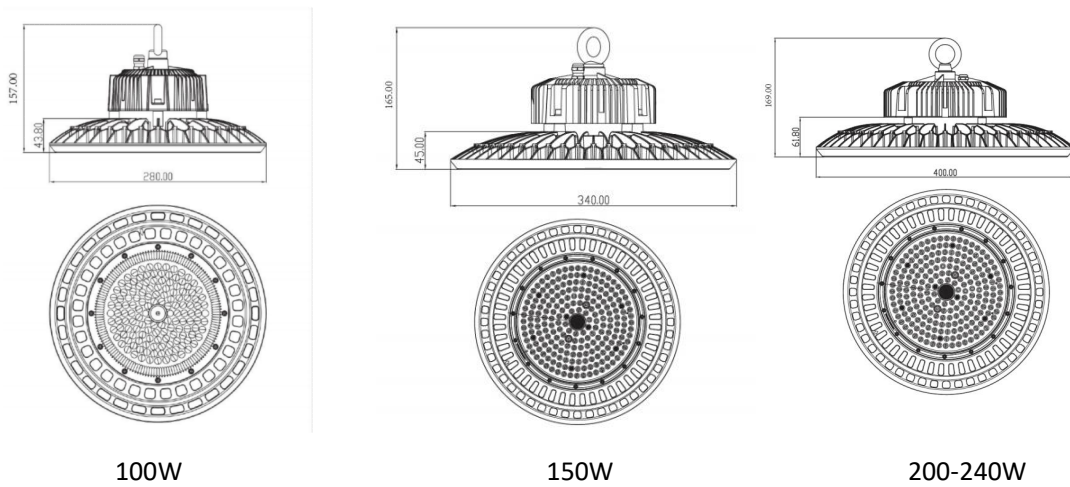
Luminance Intensity Distribution



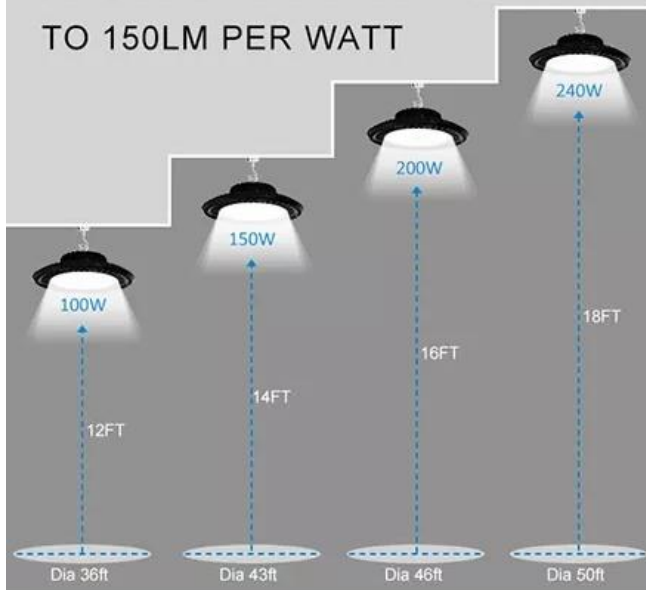
Cone Lux Diagram



Dimension



# HIGH BRIGHTNESS UP TO 150LM PER WATT



The high transmittance PC cover provides better light efficiency conversion. High-quality die-cast aluminum guides the heat to dissipate quickly. The recommended installation distance is 2H installation height.

Power	Equivalent	Height of Installation	Coverage	Center Fc
100W	250W HID	12-14 ft	Dia 36ft	50-70FC
150W	400W HID	14-16 ft	Dia 43ft	50-70FC
200W	700W HID	16-18 ft	Dia 46ft	50-70FC
240W	1000W HID	18-20 ft	Dia 50ft	50-70FC

## Special function

Zigbee	Bluetooth App	IR Sensor	0-10V dimmable	PHOTOCELL	Motion sensor
